

PROJECT NAME:-

STRUCTURAL DRAWING OF PROPOSED (G+7) EIGHT STORIED RESIDENTIAL BUILDING OF MR.GOLAM SAMIM,S/O HABIBUR RAHAMAN, PLOT NO-472 KHATIAN NO-1947, J.L NO-209, MOUZA-BANSOL P.S-DURGAPUR DIST-PASCHIM BARDHAMAN. WEST BENGAL.

NOTES :-

- (±) 0.00 m LEVEL REFERS TO E.G.L.
- UNLESS OTHERWISE STATED ALL CONSTRUCTION ACTIVITIES SHALL BE CARRIED OUT CONFORMING TO RELEVANT (INDIAN) STANDARD CODES OF PRACTICE.
- ALL DIMENSIONS ARE IN MILLIMETERS & LEVELS ARE IN METER. EXCEPT OTHERWISE MENTIONED ONLY WRITTEN DIMENSIONS SHALL BE FOLLOWED. ALL LEVELS GIVEN IN STRUCTURAL DRAWINGS ARE IN ACCORDANCE WITH ARCHITECTURAL DRAWINGS AND INDICATE STRUCTURAL LEVEL ONLY (WITHOUT FINISH). HOWEVER ARCHITECTURAL DRAWING TO BE COORDINATED FOR ALL LEVELS.
- ALL STRUCTURAL DRAWINGS SHALL BE READ ALONG WITH THIS DRAWING AS WELL AS RELEVANT ARCHITECTURAL DRAWINGS.
- ANY DISCREPANCY IN THE STRUCTURAL AND ARCHITECTURAL DRAWINGS SHALL BE BROUGHT TO THE NOTICE OF STRUCTURAL CONSULTANT BEFORE EXECUTION OF WORK.
- UNLESS OTHERWISE SPECIFIED ALL REINFORCEMENT TO BE USED SHALL BE TMT. BARS OF GRADE Fe-500/500 D CONFORMING TO IS-1786-2008.
- ADEQUATE CHAIR BARS TO BE PROVIDED TO KEEP THE TOP REINFORCEMENT IN PROPER POSITION.
- UNLESS OTHERWISE STATED LAP LENGTH OF BARS SHALL BE DEVELOPMENT LENGTH=50xBAR DIA.
- UNLESS OTHERWISE SPECIFIED DISTRIBUTION REINFORCEMENT SHALL BE 8 T @ 250 C/C
- CONCRETE COVER TO MAIN REINFORCEMENT SHALL BE AS FOLLOWS:-  
a)Beam:-25mm, b)Column:-40mm, c)Slab:-15mm, d)Footing:-50mm, e)R.C.C Wall:-20mm, f) Stair:- 20mm.
- Grade of concrete will be M30 for column and M25 for beam and sub structure as per is: 456:2000.
- Development length 50xD for lap & splices should be provided as per the provisions laid down in SP34:1987

SIGNATURE OF DEVELOPER/OWNER:-

Golam Samim

VETTED BY:-

DR. S. N. MUKHERJEE  
Professor  
CIVIL ENGINEERING DEPT.  
JADAVPUR UNIVERSITY  
KOLKATA-700032, (WB)

Approved in the  
a.p. meeting on  
22.08.2022  
Suman Mondal  
Pradhan In Charge  
Gram Panchayat  
Paschim Bardhaman

TITLE:-

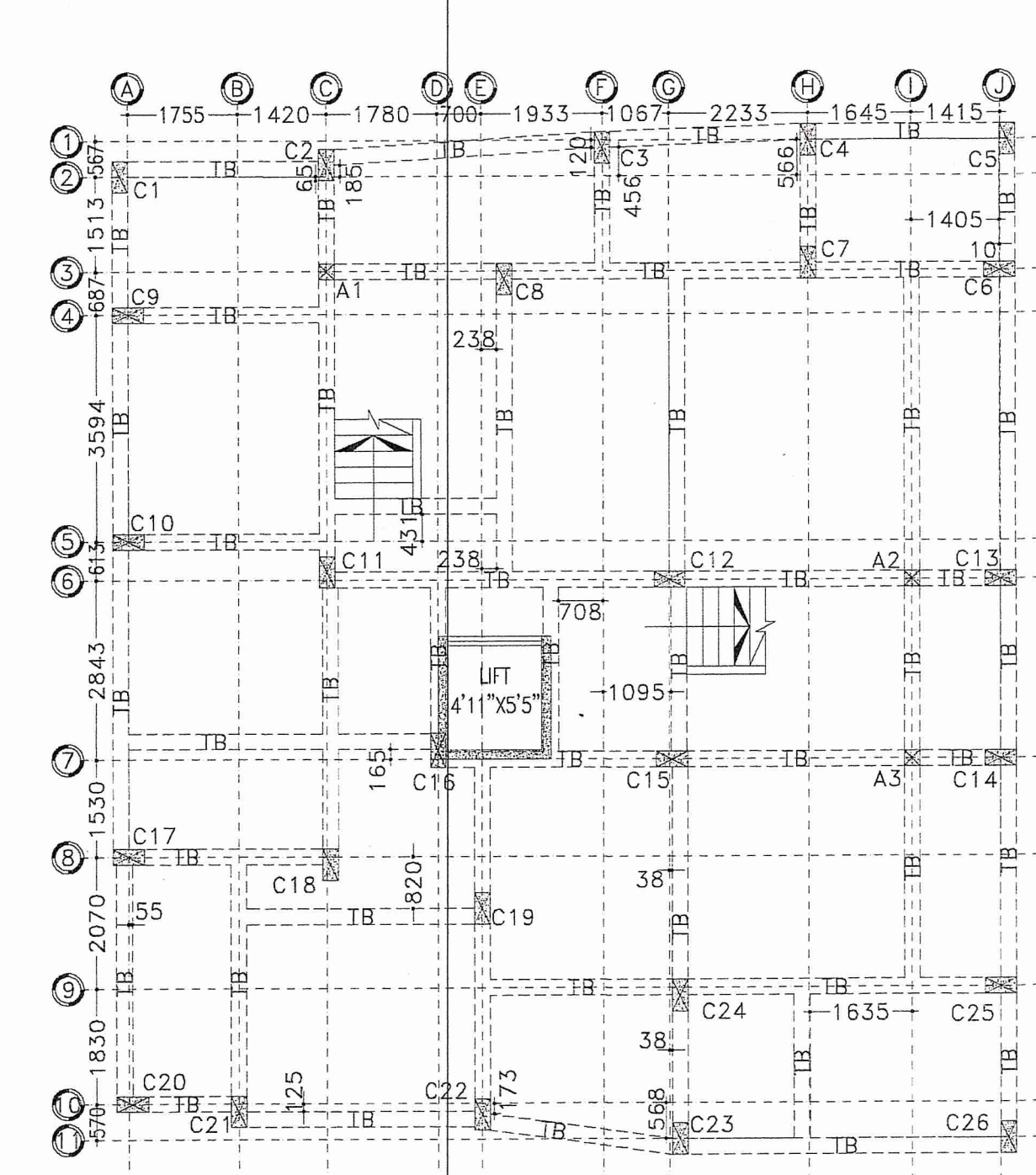
GROUND & TYPICAL FLOOR ROOF BEAM LAYOUT PLAN, SCHEDULE OF ROOF FLOOR BEAM, TIE BEAM LAYOUT PLAN, SCHEDULE OF TIE BEAM, DETAIL OF CROSS BEAM JUNCTION, TYPICAL CROSS BEAM, SECTION OF FLOOR BEAM, TYPICAL SECTION OF CANTILEVER BEAM, JUNCTION OF MAIN AND SECONDARY BEAM, DETAILS OF STAIR.

SCALE : 1:100, 1:50, 1:25, N.T.S

REV-00

DATE :09.08.2022

SHEET NO:- GIDS/STRUC:-02-02



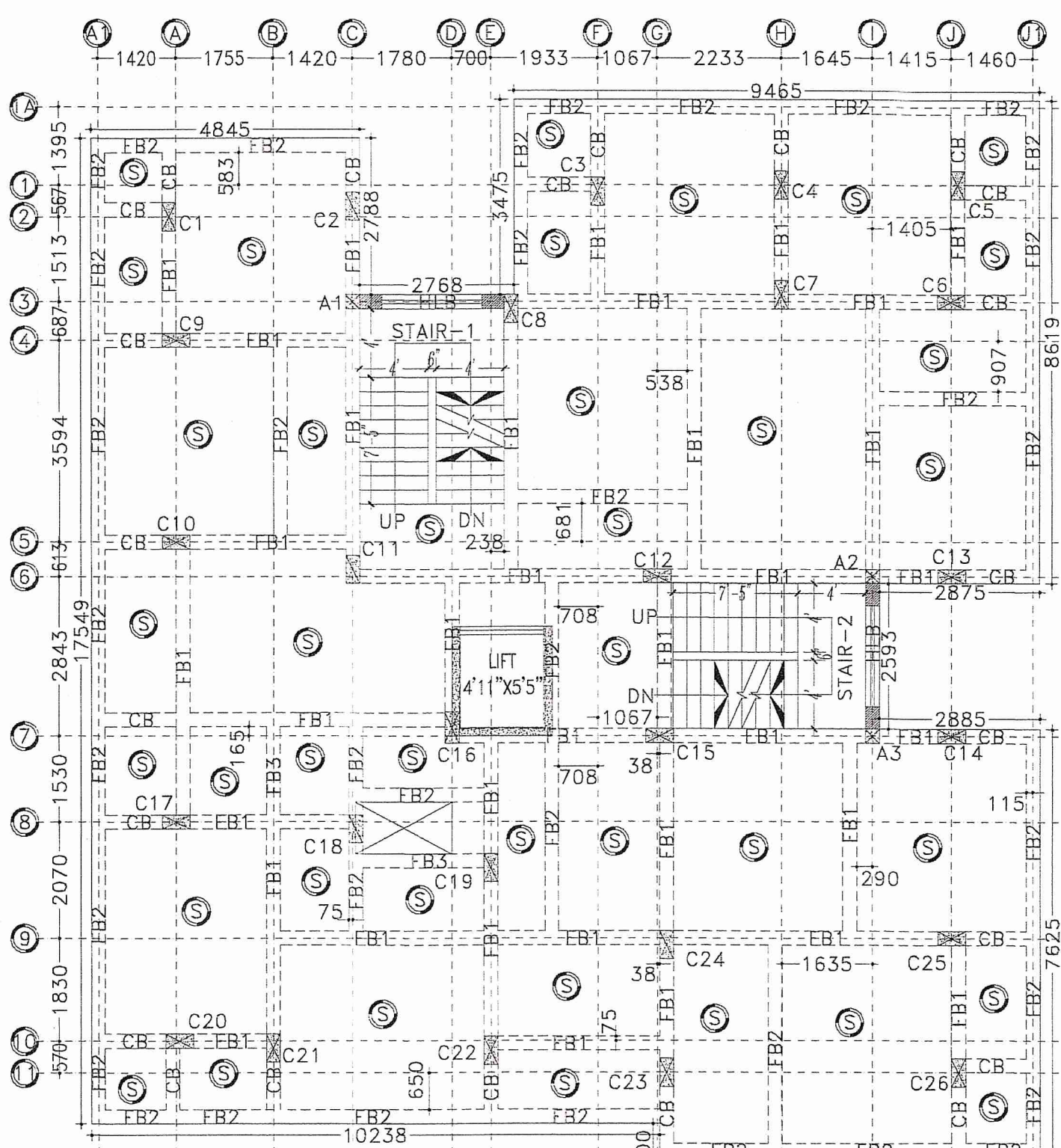
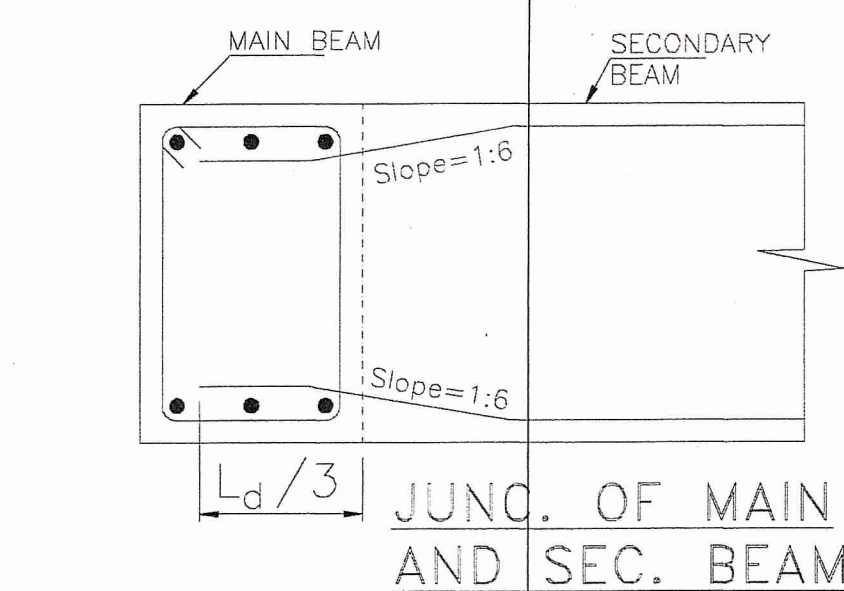
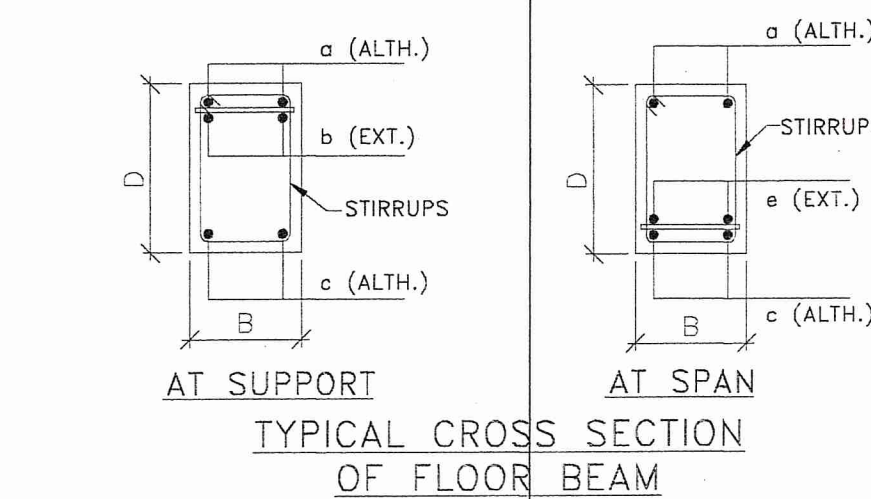
1 TIE BEAM LAYOUT PLAN  
SCALE: 1:100

TABLE NO:-01 (SCHEDULE OF TIE BEAM)

Beam Mkd	Size	All Through	Ext. at End Supp. Top (b)	Ext. at End Span. Bot. (e)	Ext. at Cont. Supp. Top (b)	Support	Span
TB	250 450	2-20R	2-20R	2-20R	2-20R	2L-8R@125C/C	2L-8R@125C/C

TABLE NO:-2 (SCHEDULE OF FLOOR BEAM)

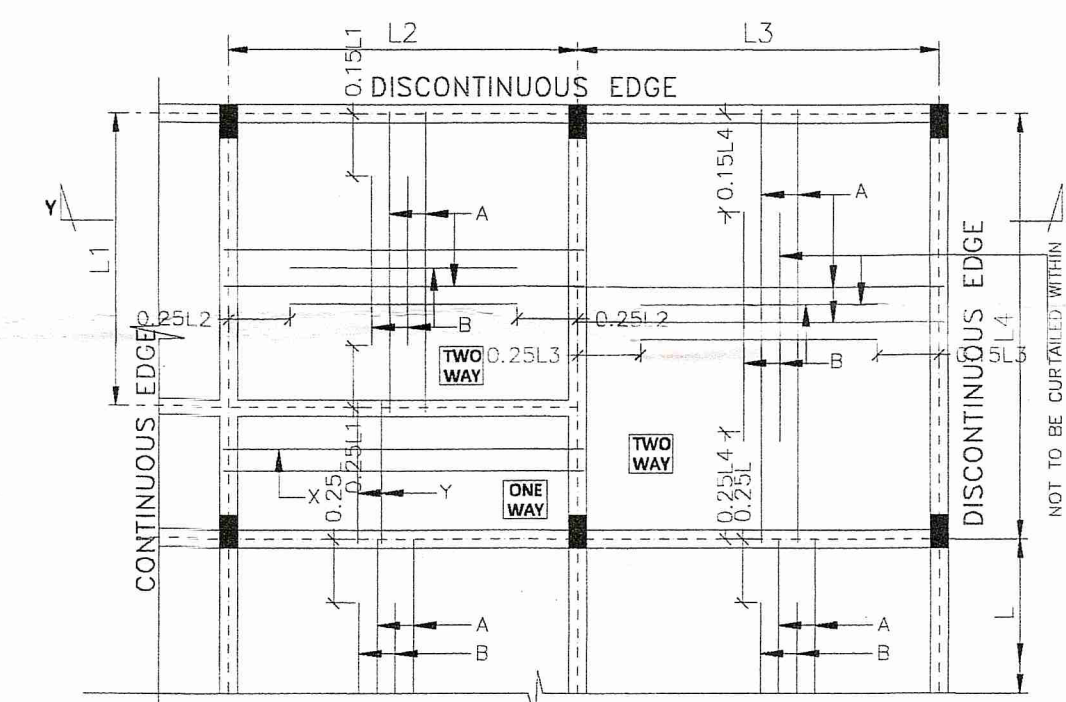
Beam Mkd	Size	All Through	Ext. at End Supp. Top (b)	Ext. at End Span. Bot. (e)	Ext. at Cont. Supp. Top (b)	Support	Span
FB1	250 450	2-20R	2-20R	2-20R	2-20R	2L-8R@125C/C	2L-8R@125C/C
FB2	250 400	2-20R	2-20R	1-20R	1-20R	2L-8R@125C/C	2L-8R@125C/C
FB3	250 350	2-16R	2-16R	1-16R	1-16R	2L-8R@125C/C	2L-8R@125C/C
CB	250 450	3-20R	2-20R			2L-8R@125C/C	2L-8R@125C/C
HLB	250 400	2-20R	1-16R	1-16R	1-16R	2L-8R@125C/C	2L-8R@125C/C



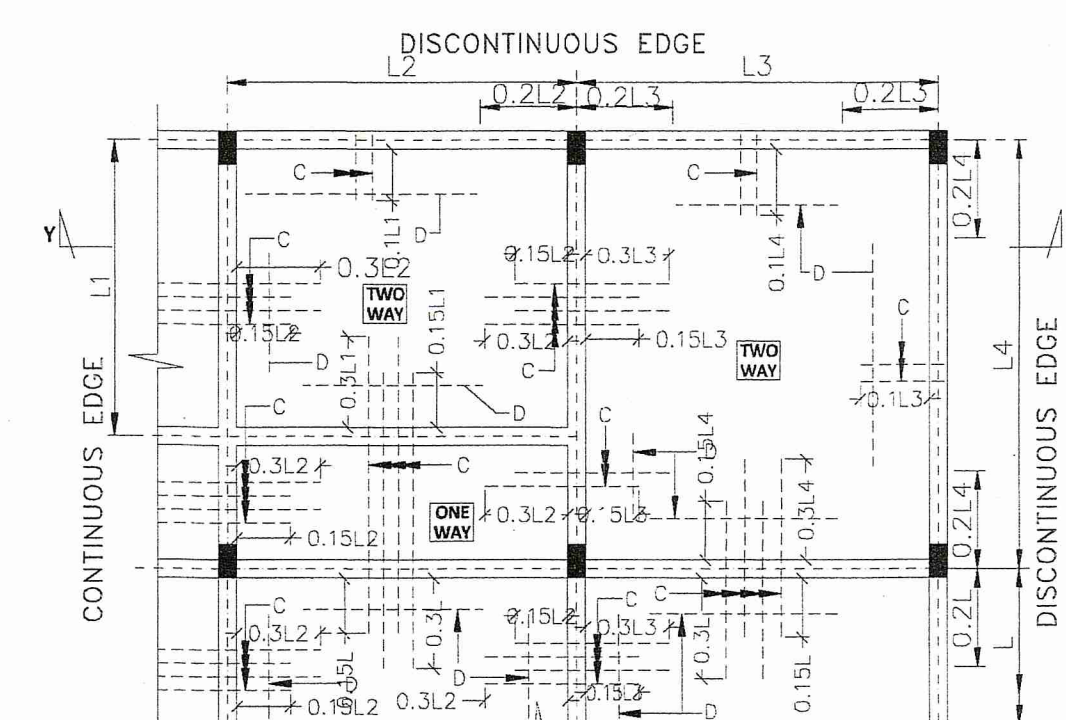
2 GROUND & TYPICAL FLOOR ROOF BEAM LAYOUT PLAN  
SCALE: 1:100

TABLE NO:-3 (SCHEDULE OF SLAB)

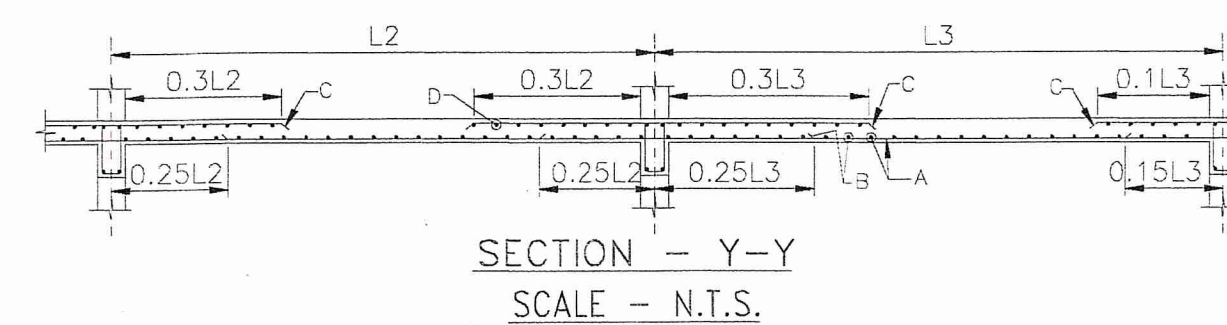
BAR MKD.	REINFORCEMENT	POSITION
A	10T @ 150 mm C/C (ALL THROUGH)	BOT.
B	10T @ 150 mm C/C (ALL THROUGH)	BOT.
C	10T @ 150 mm C/C (CURTAILMENT)	TOP
D	10T @ 150 mm C/C (ALL THROUGH)	TOP
X	10T @ 150 mm C/C (ALL THROUGH)	BOT.
Y	10T @ 150 mm C/C (ALL THROUGH)	BOT.



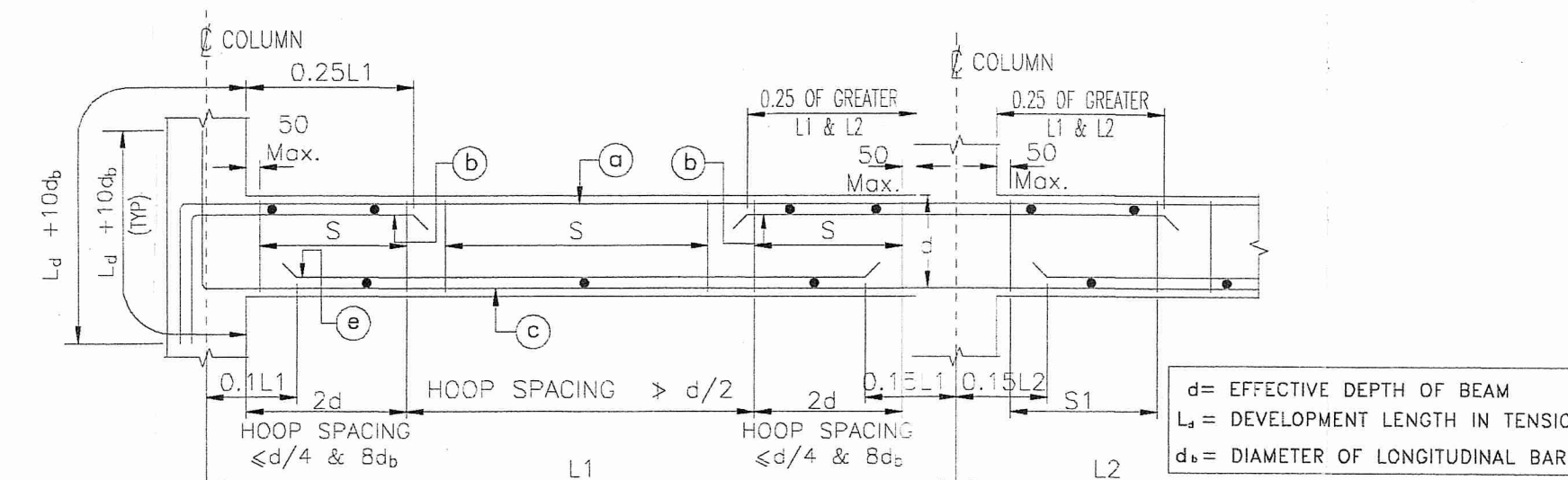
CONTINUOUS EDGE  
TYPICAL DETAILS OF SLAB REINFORCEMENT (BOTTOM)  
SCALE: N.T.S.



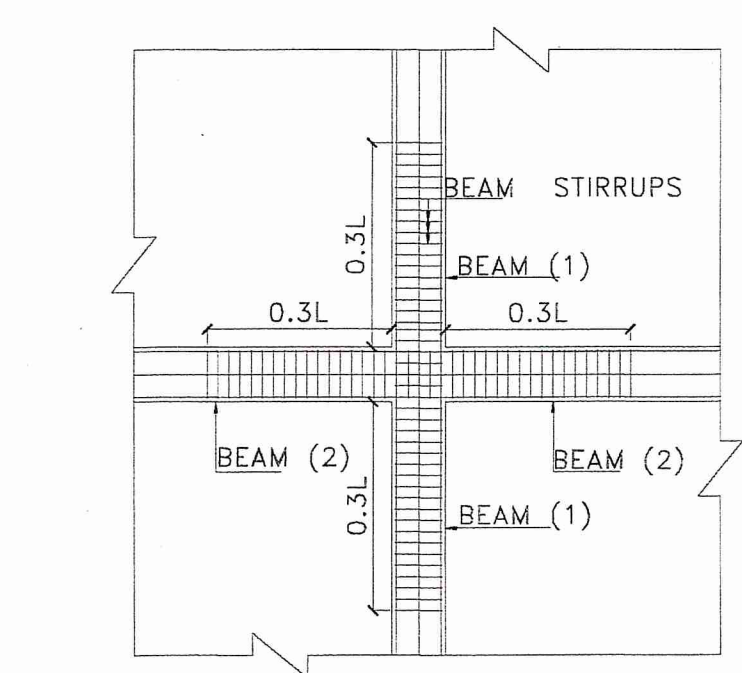
DISCONTINUOUS EDGE  
TYPICAL DETAILS OF SLAB REINFORCEMENT  
SCALE: N.T.S.



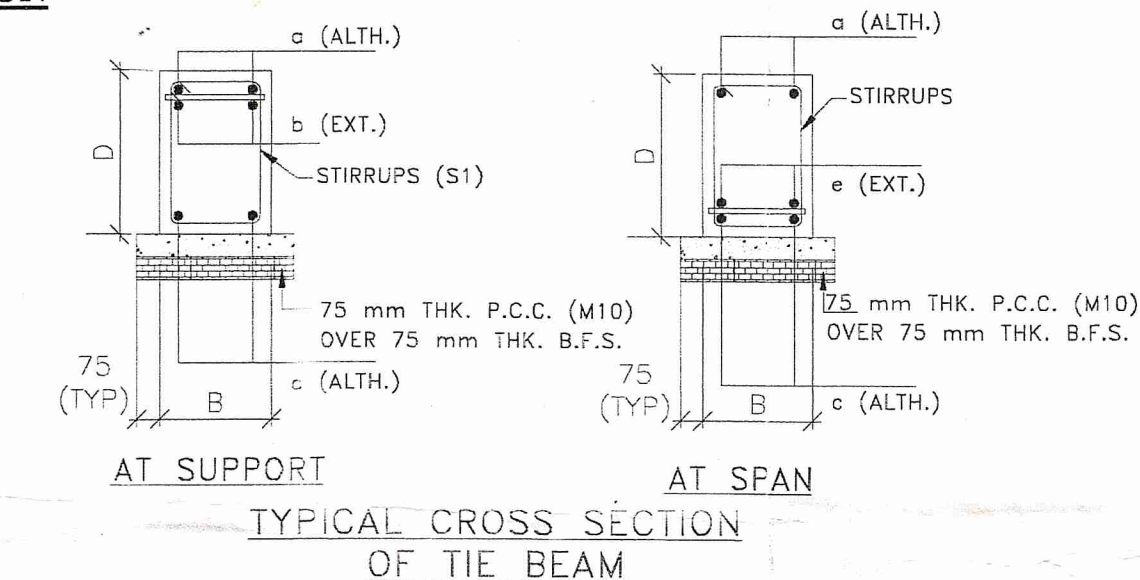
3 TYPICAL SECTION OF CANTILEVER BEAM (CB)  
SCALE: N.T.S.



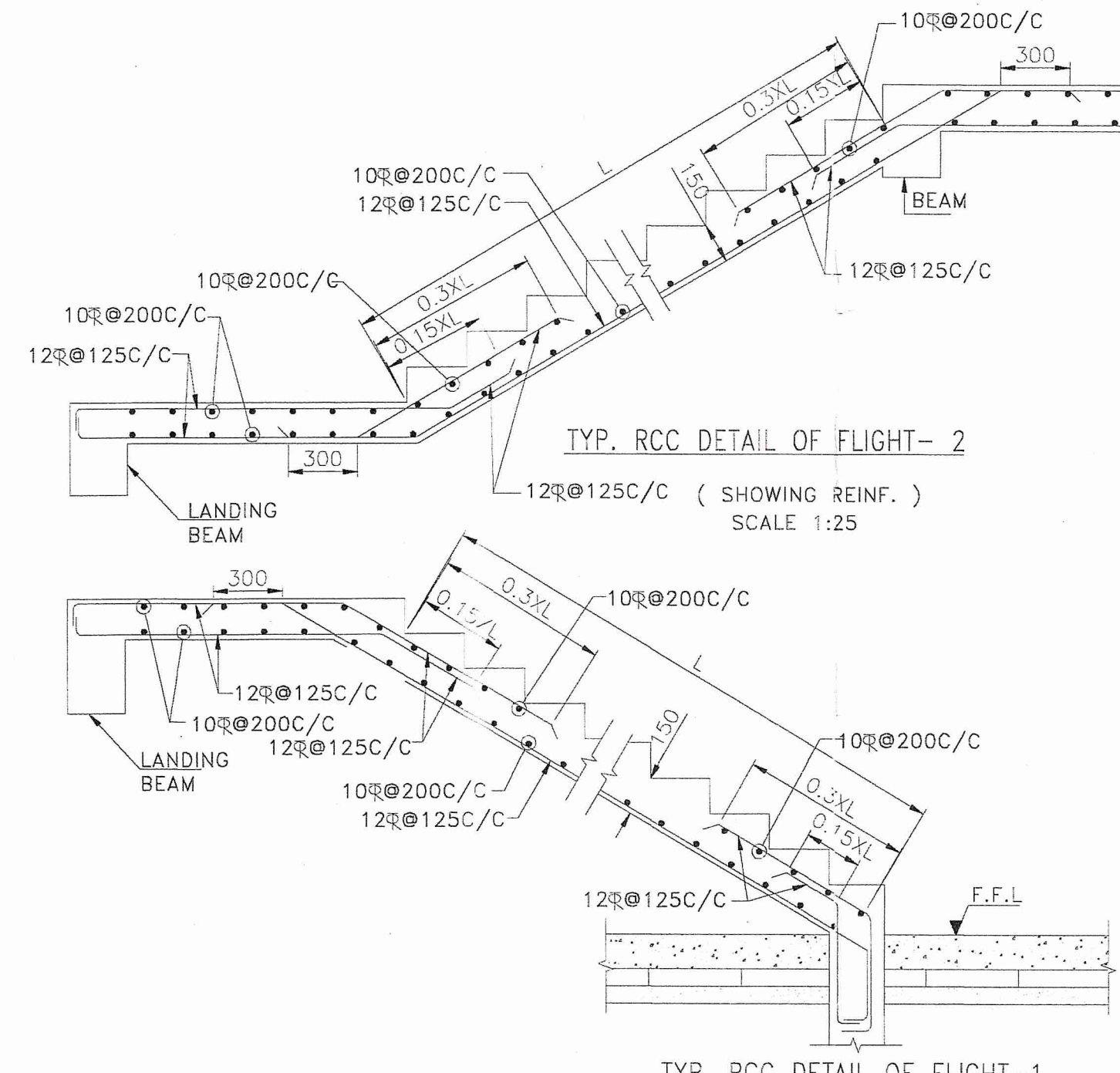
4 TYPICAL ARRANGEMENT OF REINFORCEMENT IN BEAM  
FIGURE NUMBER-1



4 DETAILS OF CROSS BEAM JUNCTION  
SCALE: 1:50



AT SUPPORT AT SPAN  
TYPICAL CROSS SECTION OF TIE BEAM



6 DETAILS OF STAIR  
SCALE: N.T.S.

SIGNATURE OF ARCHITECT:-

VAISHNAVI BARANDATHAYE  
CONSULTING ARCHITECT  
CA/2018/101108

SIGNATURE OF GEO-TECHNICAL ENGINEER:-

MANOJ KUMAR  
Civil & Geotechnical Engineer  
Lic. No. - LP/14278  
G.I.D.S., Durgapur - 16

SIGNATURE OF STRUCTURAL ENGINEER:-

HARISH CHAKRABORTY  
Structural Engineer  
Lic. No. - L.B.P/M/158/AMC/04/01/19  
DCE, B.TECH, G.I.D.S., Durgapur - 16  
Contact No. 8332133331

SCALE : 1:100, 1:50, 1:25, N.T.S

REV-00

DATE :09.08.2022

SHEET NO:- GIDS/STRUC:-02-02